

HOTELLERIE

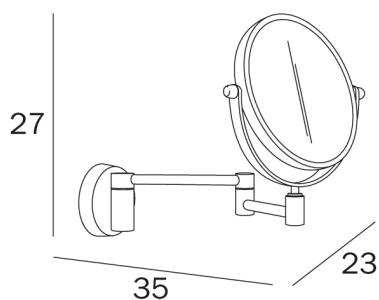
design Studio Inda

COD AV058C

Wall-mounted magnifying mirror,
double jointed arm, 18 cm Ø
mirror, double sided, pivoting



DISEGNO TECNICO



FINISHES



CR Chrome-plated

HOTELLERIE

design Studio Inda

TECHNOLOGIES



INDA srl
Operational Headquarters
Via dell'Industria, 41
I-24040 Pagazzano (BG)

tel. +39 0363 38061
fax. +39 0363 070035
Administration +39 0363 740103

www.inda.net
info@inda.net

 **inda**[®]